

## Jay® Fit System

Models/ other info

**Owner's Manual**

## Manual Title (Translation)

Models/ other info

**Owner's Manual**

## Manual Title (Translation)

Models/ other info

**Owner's Manual**

## Manual Title (Translation)

Models/ other info

**Owner's Manual**

## Manual Title (Translation)

Models/ other info

**Owner's Manual**

**JAY**®

**TABLE OF CONTENTS**

<b>I. Introduction.....</b>	<b>2</b>
<b>II. Manual Chair Back Cane Compatibility.....</b>	<b>3</b>
<b>III. Jay Fit Cushion.....</b>	<b>4</b>
Installation Instructions.....	4
Installing and Removing the Cushion.....	4
Fitting the Seat Well Components to the Client.....	5
Easy Maintenance.....	5
<b>IV. Jay Fit Back.....</b>	<b>6</b>
Fitting the Jay Fit Back.....	6
Removal and Replacement.....	7
<b>V. Attaching Hardware.....</b>	<b>8</b>
Height Adjustable, Quick-Mount Attaching Seat Hardware.....	9
Adjustable, Quick-Mount Attaching Back Hardware....	9
<b>VI. Check Sheet for Proper Assembly of the     Standard Attaching Hardware.....</b>	<b>9</b>
<b>VII. Check Sheet for Proper Assembly of the     Quick-Mount Attaching Hardware.....</b>	<b>10</b>
<b>VIII. 24 Month Limited Warranty.....</b>	<b>23</b>

**I. INTRODUCTION**



**WARNING-READ BEFORE USE**

**Failure to follow these recommendations and instructions can cause equipment failures that result in serious injury.**

**CLINICAL CONSULTATION**

Sunrise Medical recommends that a clinician, such as a doctor or therapist, experienced in seating and positioning be consulted to determine if a Jay Fit System is appropriate.

**HARDWARE COMPATIBILITY**

Jay Fit Systems are designed to be physically compatible with most types of wheelchairs. Systems should only be installed by an authorized Sunrise Medical Supplier. To determine hardware compatibility for a particular wheelchair please follow the instructions in section II, “Manual Chair Back Cane Compatibility”. Sunrise Medical manufactures two styles of mounting hardware, Standard and Quick-Mount. Standard hardware is not recommended for reclining wheelchairs, standing wheelchairs and wheelchairs that tilt in space beyond 30 degrees.

**HARDWARE MAINTENANCE**

Sunrise recommends that all fasteners on Jay Fit Systems be checked for wear, such as loose bolts or broken components every 6 months. Loose fasteners should be retightened according to the installation instructions. All fasteners should be tightened to 2.3 Nm (20 in.-lbs.). Contact your authorized Sunrise Medical Supplier immediately to replace any broken components. Do not continue to use the system after identifying loose or broken components.

**MOTOR VEHICLE TRANSPORTATION**

Jay Fit Systems are available with quick-mount hardware that has been crash tested for transit use. This product has been manufactured separate from the wheelchair. Only a complete system (wheelchair base and seating) can be validated for use as a seat in a motor vehicle. The wheelchair provided may or may not be appropriate for use as a seat in a motor vehicle in combination with this seating system. Before using this system as a seat in a motor vehicle, you should verify that the wheelchair has been validated in combination with this seating system. You should read and comply with all instructions for use provided by both Sunrise Medical and the wheelchair manufacturer as well as the instructions for use of any added component or accessory.

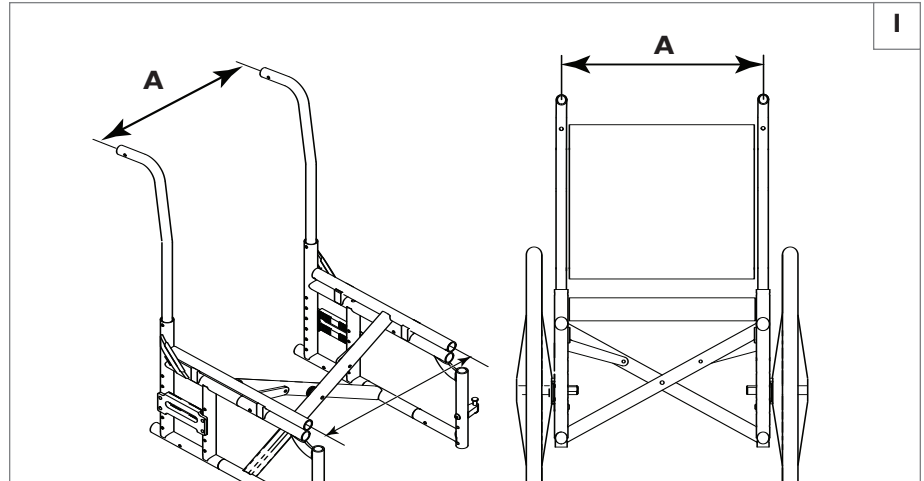
**If you have any questions regarding these instructions contact your authorized Sunrise Medical Supplier or Sunrise Medical directly.**

II. MANUAL CHAIR BACK CANE COMPATIBILITY

**STEP 1**

The Jay Back is designed to replace the wheelchair's sling upholstery. The mounting hardware system is designed for tubular back canes. Prior to installation determine if the wheelchair used has compatible back canes. Start by checking the "Ordered Width Size" table to see if the back canes are a correct width. Measure from the center of the back tubes (Fig. 1).

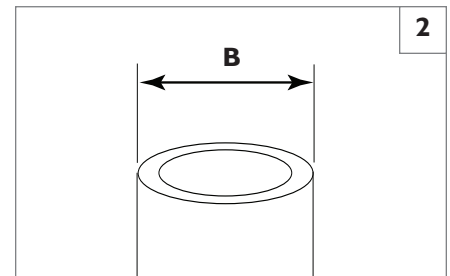
If you cannot determine that the back canes are compatible please contact your authorized Sunrise Medical provider or Sunrise Medical customer service.



Ordered Width Size (Cushion and Back) International hardware kit (hooks)	Width of back canes or seat rails from center to center of the tubes (Fig. 1)				Fits tube diameter (inches)		Fits tube diameter (mm)	
	Minimum width "A"		Maximum width "A"		Min	Max	Min	Max
	inch	cm	inch	cm				
10"	8.75	22.23	10.12	25.70	0.75"	1.05"	19mm	26mm
12"	10.75	27.31	12.12	30.78	0.75"	1.05"	19mm	26mm
14"	12.75	32.39	14.12	35.86	0.75"	1.05"	19mm	26mm
16"	14.75	37.47	16.12	40.94	0.75"	1.05"	19mm	26mm
18"	16.75	42.55	18.12	46.02	0.75"	1.05"	19mm	26mm

**STEP 2**

Next check that the back canes are a compatible diameter. Identify the hardware kit provided. Measure the wheelchair's back cane tube diameter. The back hardware may be used on back canes from 0.75 to 1.05 inches (19mm - 26mm) in diameter (Fig. 2).



Back Attaching Hardware/Adj. Quick Mount		Fits tube diameter		Fits tube diameter	
Back Hardware kit #	Description	min "B"	max "B"	min "B"	max "B"
474200	ADJ. ATTACHING HARDWARE KIT 3/4"	0.75"	0.80"	19mm	20mm
474201	ADJ. ATTACHING HARDWARE KIT 7/8"	0.88"	0.93"	22mm	23mm
474302	ADJ. ATTACHING HARDWARE KIT 1"	1.00"	1.05"	25mm	26mm
475300	ADJ. ATTACHING HARDWARE KIT 3/4" (18" W)	0.75"	0.80"	19mm	20mm
475301	ADJ. ATTACHING HARDWARE KIT 7/8" (18" W)	0.88"	0.93"	22mm	23mm
475302	ADJ. ATTACHING HARDWARE KIT 1" TRAN (18"W)	1.00"	1.05"	25mm	26mm
4784001	JAY FIT BACK HARDWARE KIT INTERNATIONAL	1.00"	1.05"	25mm	26mm

Seat Attaching Hardware		Fits tube diameter		Fits tube diameter	
Seat Hardware kit #	Description	min "B"	max "B"	min "B"	max "B"
468210, 468212, 468214, 468216, 468218	7/8" STD QUICK MOUNT 10"	0.88"	0.93"	22mm	23mm
468220, 468222, 468224, 468226, 468228	1" STD QUICK MOUNT 10"	1.00"	1.05"	25mm	26mm
468230, 468232, 468234, 468236, 468238	7/8" HEIGHT ADJ QUICK MOUNT 10"	0.88"	0.93"	22mm	23mm
468240, 468242, 468244, 468246, 468248	1" HEIGHT ADJ QUICK MOUNT 10"	1.00"	1.05"	25mm	26mm
4684001	HARDWARE KIT INTERNATIONAL	1.00"	1.05"	25mm	26mm

**⚠ WARNING**

Installing a cushion on a wheelchair may affect the center of gravity of the wheelchair and may cause the wheelchair to tip backward, potentially resulting in injury. Always assess for the potential need for anti-tippers or amputee axle adapter brackets to be added to the wheelchair to help increase stability.

**INSTALLATION INSTRUCTIONS**

The Jay Fit Cushion is for wheelchair users. The seat is easy to adjust based on a child's changing needs. When installing or adjusting components, tighten all fasteners to 2.3 N-m (20 in.-lbs.).

**A. INSTALLING THE JAY FIT CUSHION HOOK RETAINERS** 1

1. Remove any seat upholstery from the wheelchair seat rails.
2. Install one Hook Retainer part #284 toward the rear of each seat rail 1. The bolt holes used to secure the Hook Retainers should be below the seat rail. The extension on the top of the Hook Retainers should extend forward.
3. Place a nut into the hexagonal depression on the Hook Retainers, toward the inside of the wheelchair seat frame.
4. From the outside of the wheelchair seat frame, using the appropriate length bolt for the installation, insert the bolt through the holes in the Hook Retainers into the nut and tighten with a Phillips screwdriver.

**NOTE:** The Jay Fit Cushion hooks supporting the seat should slide under the extension on the top of the Hook Retainers.

**B. INSTALLING THE HOOK STOPPERS** 2

1. Install the Hook Stopper part #283 toward the front of one seat rail 2. The bolt holes used to secure the Hook Stopper should be below the seat rail.
2. Place a nut into the hexagonal depression on the Hook Stopper toward the inside of the wheelchair seat frame.
3. From the outside of the wheelchair seat frame, using the appropriate length bolt for the installation, insert the bolt through the holes in the Hook Stopper into the nut and tighten with a Phillips screwdriver.

**NOTE:** One of the hooks supporting the front of the seat should rest behind the Hook Stopper. There should be a space between a front Seat Hook and the Hook Stopper.

**C. INSTALLING THE ATTACHING HARDWARE ASSEMBLIES** 3

1. Identify the attaching hardware assembly.
2. Turn the Jay Fit Cushion over exposing the underside and the tracks. The attaching hardware assemblies may be attached at any position on the track.
3. Slide the channel nuts into the track as shown 3 and hand tighten so that the assemblies may be adjusted to the desired final position. Repeat for each assembly.
4. Place the Jay Fit Cushion onto the wheelchair's seat rails and center it between the frame, adjusting the assemblies on the seat to the desired depth and width. (Each track will have two assemblies.)
5. Carefully remove the Jay Fit Cushion and tighten all nuts securely.

**D. ADJUSTING DROP HOOK HEIGHT** 4

The Drop Hooks may be adjusted up or down 5.1 cm (2").

**To adjust the brackets for height:**

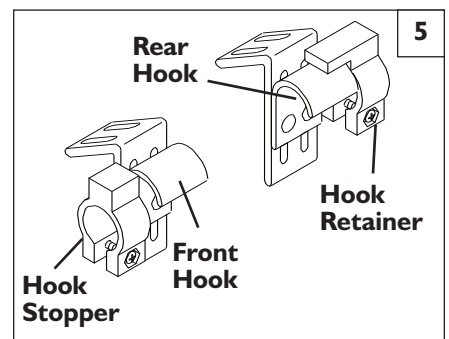
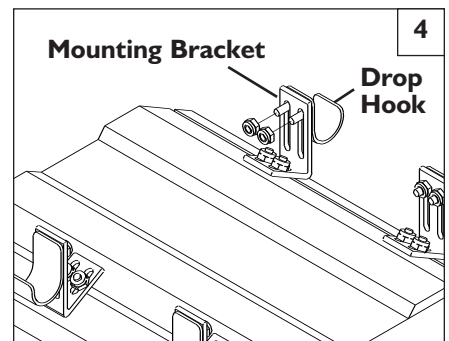
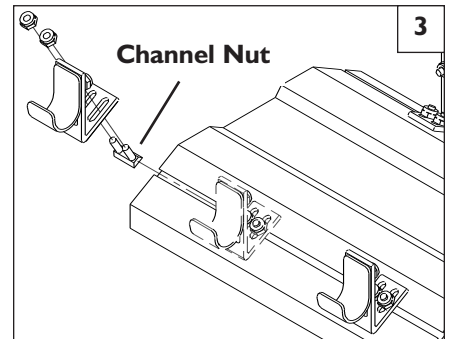
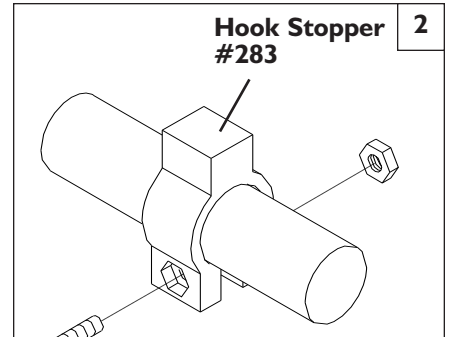
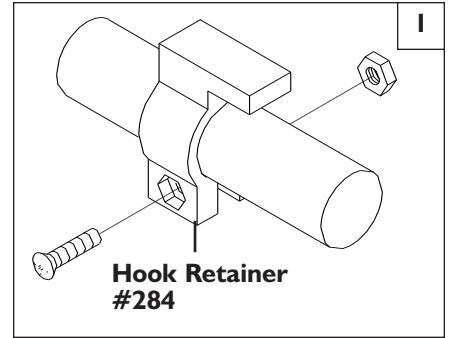
1. Loosen the two nuts attaching the Drop Hook to the Mounting Bracket 4.
2. Slide the Drop Hook to the desired position on the Mounting Bracket and re-tighten the nuts.
3. Repeat for all Drop Hooks.

**INSTALLING & REMOVING THE CUSHION** 5

1. To install the seat 5, place the rear hooks on the seat rails and slide the seat back while lowering the front.

**NOTE:** The rear hooks should slide under the Hook Retainers and one of the front hooks should rest behind the Hook Stopper.

2. To remove the seat, lift the front of the seat and pull forward and up.



## FITTING THE SEAT WELL COMPONENTS TO THE CLIENT

### A. FIT CUSHION WITH FOAM OPTION 6 7

1. Remove the Jay Fit Seat outer cover.
2. Unzip the inner cover located at the back of the seat and fold it back so that you may access the inner seat base well area.
3. Insert the desired number of anterior well reducers into the seat well. 6

**NOTE:** The anterior well reducer helps to prevent the pelvis from tilting into a posterior position. Each reducer is 2.54 cm (1") thick, and attaches to a Velcro track. The seat base is notched 7.6 cm (3") in the rear so that it may be positioned behind the back posts. As the child grows in femur length, the seat may be moved forward and anterior well reducers may be added to maintain pelvic positioning.

4. Add lateral well reducers to the well if necessary (typically one left and one right) for lateral stability.

**NOTE:** The lateral well reducers are 2.54 cm (1") width. Both the lateral and anterior well reducers may be modified as needed.

5. Insert layers of foam into the seat well. 7

**NOTE:** Two to three layers of foam are recommended, with softer layers on the top to help the child lower into the well for best clinical benefit.

6. Once the number of desired well reducers are in place, cut the foam to match the well size.
7. Close the zipper.
8. Replace the outer cover.

### CONTOURED PELVIC AND THIGH SUPPORT OPTION 8 9 10

The contoured pelvic and thigh supports add lateral stability. Available in 5.1 cm (2") or 7.6 cm (3") heights, these supports are adjustable for depth, width, and angle. 8

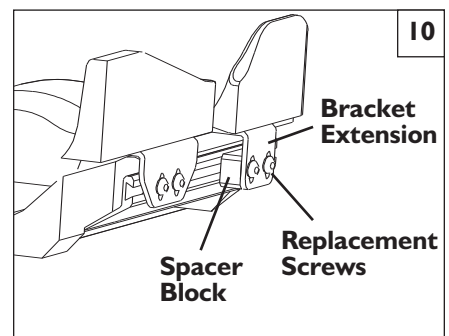
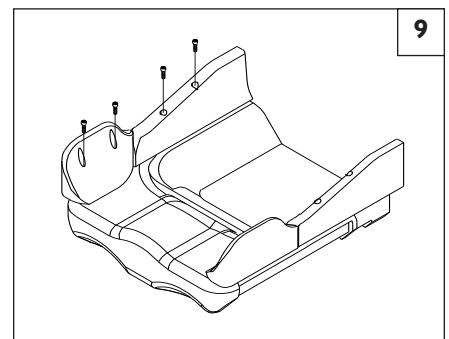
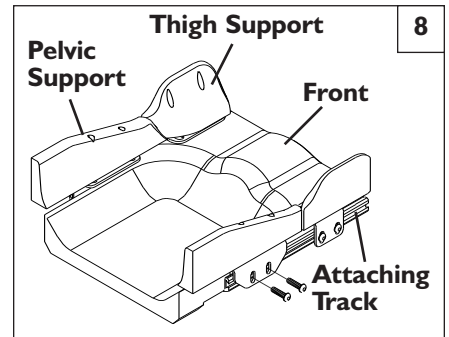
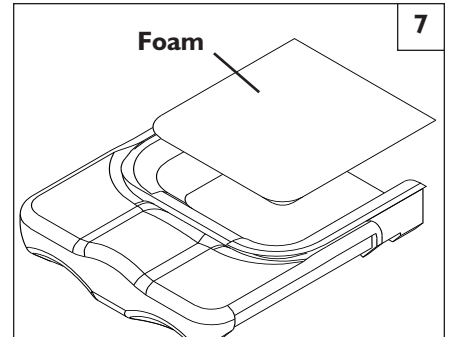
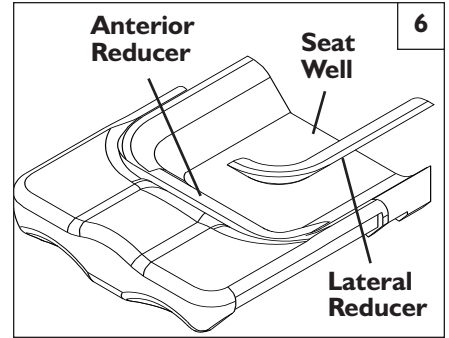
**NOTE:** The length of these supports will be determined by seat size.

#### To adjust these supports:

1. Remove the outer cover.
2. Adjust the width or angle of the pelvic and thigh supports by loosening the top nuts 9 for each support, positioning and re-tightening the nuts.
3. Replace the outer cover.

**NOTE:** Each order for lateral and pelvic supports includes a width expansion kit (#468111). This kit 10

- (2) Spacer blocks (#463241)
- (4) 1/4 X 28, .81 screws (#XM2148)
- (2) Bracket extensions (#XM2030)



## EASY MAINTENANCE

Keeping your Jay Fit Cushion in good condition may ensure many years of use. The foam in the seat well should require no regular maintenance. Monthly cleaning is recommended. To clean the cushion remove the outer cover and wipe the inner cover and lateral pelvic and thigh supports with warm water and soap. The outer cover may be machine washed and dried. Wash in warm water. Do not bleach. Do not dry clean or steam autoclave the outer cover.

With the outer cover removed, inspect the lateral pelvic and thigh supports to see that they have not loosened from the track. If the supports have loosened, re-tighten with a 5/32" hex wrench or see your authorized supplier.

Re-cover the cushion with the label on the side and the content labels on the back.

**⚠ WARNING**

Installing a cushion on a wheelchair may affect the center of gravity of the wheelchair and may cause the wheelchair to tip backwards potentially resulting in injury. Always assess for the potential need for anti-tippers or amputee axle adapter brackets to be added to the wheelchair to help increase stability.

**FITTING THE JAY FIT BACK**

The Jay Fit Back is designed for pediatric wheelchair clients. The back is very easy to adjust based on a child's changing needs. When installing or adjusting components, tighten all fasteners to 2.3 N-m (20 in.-lbs.).

**1. Attach one lower receiver assembly to each upright post of the wheelchair**

**1 2**

- a. Remove the black caps on the lower receiver assemblies and release the bands by removing the band screws.
- b. Position the lower receiver assemblies on the back posts in the approximate desired locations.

**HINT:** These assemblies may be oriented in front or behind the back posts. The stud slot always faces inward. When mounted behind the back post, the assembly offers 0 cm to 3.7 cm (0-1.5") of forward adjustment. When the assembly is mounted in front of the back post, you have an adjustment range of 3.7 cm to 7.5 cm (1.5" - 3") forward.

- c. Replace the band screw and tighten firmly. Replace the black cap.
- d. To adjust the height of an assembly, loosen the adjustment screw until the receiver slides freely on the back posts. Tighten the adjustment screw when the proper height is determined. Both receivers should be set to the same height.

**2. Install the Jay Fit Back**

**1**

Place the Jay Fit Back in the wheelchair so the bottom stud nuts (on the brackets attached to the back shell) slide into the lower receiver assemblies. (If the width is not right, see step #3.) The top of the back should rest against the uprights. The top hooks (on the upper portion of the back shell) should rest flush against the posts.

**3. Bottom width adjustment**

**1 3**

Remove the Jay Fit Back from the wheelchair. Loosen the lower back bracket nuts and slide the brackets so that the stud nuts fit into the lower receiver assemblies. Adjust the brackets evenly on both sides and lightly tighten the bracket nuts.

**4. Top width adjustment**

**3**

Remove the Jay Fit Back from the wheelchair. Loosen the upper back bracket nuts and slide the brackets so that the upper back hooks match the wheelchair post width. Adjust the brackets evenly on both sides and tighten the bracket nuts. Replace the back in the wheelchair.

**5. Assess and adjust back height**

**4**

Position the user's hips to the back of the wheelchair. The top of the back should be located approximately at the top of the shoulder. To adjust the height of the back, loosen screw "A" and slide lower receiver assemblies up or down. Once proper height is determined, tighten brackets firmly.

**HINT:** If you encounter interference with the lower back brackets, simply loosen the brackets at the point of attachment to the back, and move up or down in the track as needed.

**6. Assess and adjust seat depth and back angle**

**5**

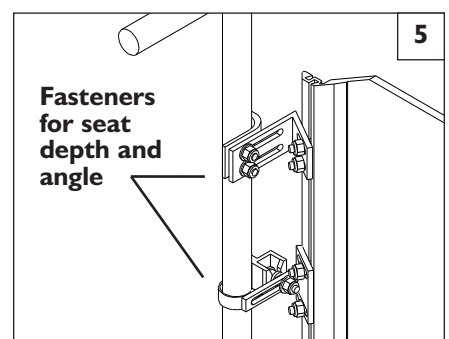
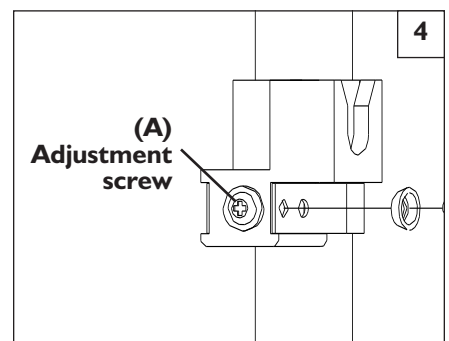
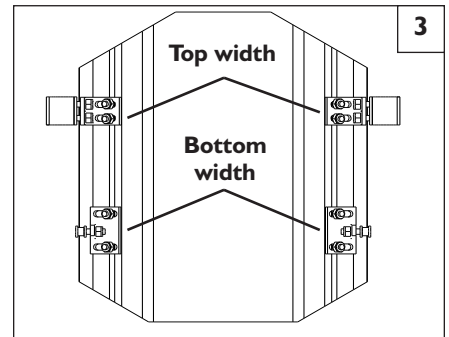
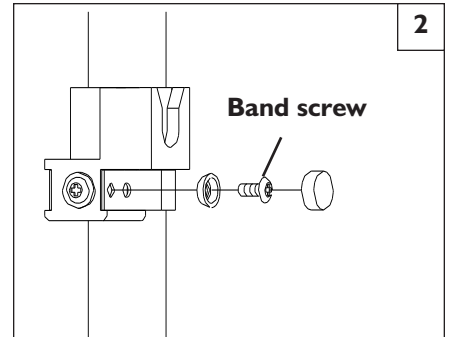
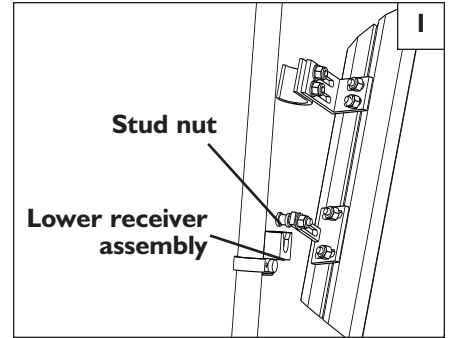
- a. To adjust seat depth, loosen the fasteners for the top hook and lower receiver stud nut on both sides. Slide the back on the bracket nuts to the desired depth.
- b. To add recline, slide the top hooks forward or back to find the desired angle of recline. Recline may also be obtained by adjusting the placement of the stud nut on the lower bracket.
- c. Adjust the top hooks and lower receiver stud nut evenly on both sides and tighten the fasteners.

**7. Install the Top Quick-Release Quarter Turn bracket hardware**

**6**

Attach one top quick-release quarter turn bracket to each upright post of the wheelchair.

- a. The top quick release quarter turn bracket is designed to fit on 1.6 cm, 1.9 cm, 2.2 cm, and 2.5 cm (5/8", 3/4", 7/8" and 1") diameter back post tubing. (The bracket comes assembled to attach to 2.2 cm or 2.5 cm tubing.) Check the diagram to the right to determine which strap hole is appropriate for the installation. Wrap the strap around the wheelchair post. Screw "A" may have to be loosened to align the strap hole with the barrel nut located inside the bracket body. Place a washer on screw "B" and insert the screw through the appropriate hole in the strap.
- b. Tighten screw "B" into the barrel nut through the side of the bracket body. Tighten the opposite screw if necessary.



- c. Snap the screw caps over both screw heads.
- d. To adjust the height of the bracket, loosen screw "A" until the bracket slides freely on the back post. Once the proper height of the back is determined, tighten the screw. All future adjustments of the back height are done with screw "A."
- e. Always turn the quick-release quarter turn bracket to the "DOWN" position **7** to secure the top hook in place.

**⚠ WARNING**

The top quick-release quarter turn brackets must be in their downward position when the back is in use. Improper use may cause the back to unexpectedly detach from the wheelchair.

**⚠ WARNING**

Do not use the Jay Fit Back to push or lift the wheelchair. Improper use may cause the back to unexpectedly detach from the wheelchair.

**HINT:** If you encounter interference with the top back brackets, simply loosen the brackets at the point of attachment to the back, and move up or down in the track as needed.

**8. Add or adjust lateral/posterior pelvic support as required **8****

To obtain proper placement, we recommend placing the individual in the wheelchair with the back adjusted to the desired height. Have the person lean forward at the waist and position the lateral/posterior pelvic support so that the maximum thickness is immediately at the belt line.

Remove the foam insert from the back by unbuttoning the two snap buttons located at the bottom of the shell. Add or remove the lateral/posterior contour strips as needed for the client. Place the lateral pyramids on the left and right ends of the lateral/posterior contour strips for additional lumbar support. The mounting track for the lateral/posterior contour strips may be raised or lowered to match the client's needs by loosening the mounting track hex nut, sliding in the track, and re-tightening where needed.

**HINT:** The lateral/posterior pelvic supports may be difficult for clients to tolerate initially. Give the individual time to get accustomed to the support before giving up on it. In the long run, it may encourage proper posture and enhance sitting stability.

**9. Assess and fit the lateral thoracic supports **9****

Assess client for proper positioning of the lateral thoracic supports. Each support is independent and may be adjusted for your client's clinical need.

**⚠ WARNING**

A minimum of 2.5 cm (1") of clearance should exist between the top of the lateral support and the arm pit.

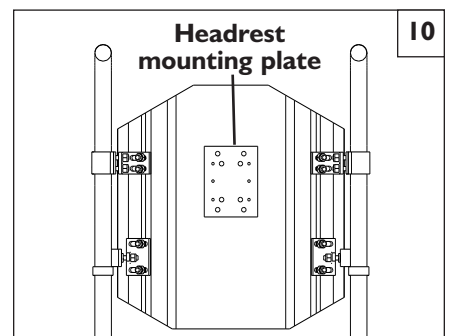
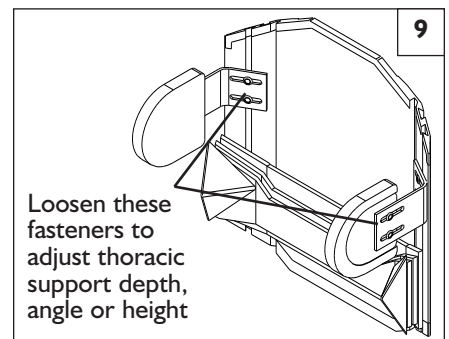
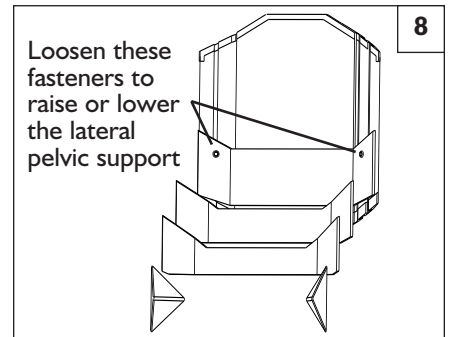
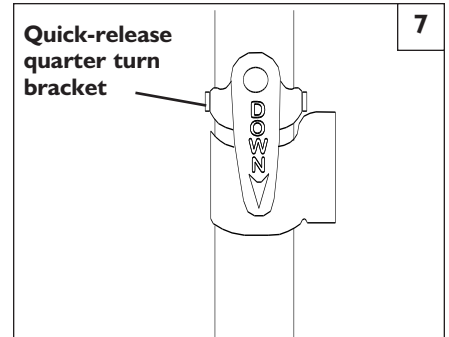
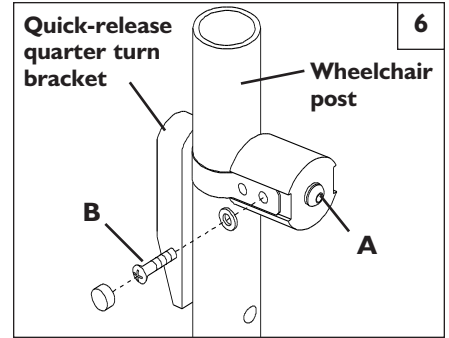
- a. To adjust the height, angle, or width of the lateral thoracic supports, remove the foam inserts, loosen the internally mounted bolts, and slide in the track to the desired height and width. The angle is obtained by tilting the bracket as needed. Tighten the bolts.
- b. To adjust the depth of the lateral thoracic pads, remove the pad covers, loosen the attaching bolts, slide to the desired depth, re-tighten the bolts, and replace the pads.

**10. Mounting an optional headrest **10****

The Jay Fit Back has a universal headrest plate mounted to it. Care should be taken to use the proper screw length when mounting.

**11. Secure the foam and cover to the shell.**

To secure the back foam and cover on the Jay Fit Back, slide the top edge of the cover over the top lip of the shell. Press the back in place against the shell, pull the two button snaps under the bottom of the shell and snap to the buttons.



**REMOVAL AND REPLACEMENT**

Following installation and adjustment, the back can be easily removed from the wheelchair if necessary. Simply twist the quick-release brackets out of the way on both sides and lift the back up and out of the chair. To replace, lower the stud nuts into the lower receiver assembly until it rests against the upright posts. Twist the quick release brackets down over the top hooks on the back. The back will retain angle adjustment when removed and replaced on the wheelchair

**HEIGHT ADJUSTABLE QUICK MOUNT ATTACHING SEAT HARDWARE**

**To Remove the Seat**

1. With the chair unoccupied, reach under the front of the seat and pull the quick release cable forward **1**.
2. While holding the release cable forward, lift the front of the seat from the latch mechanism assembly and slide the rear brackets forward from the rear receiver clamp assemblies on the chair.

**To Attach the Seat**

1. Holding the seat as shown in Fig. 2, slide the rear brackets into the rear receiver clamp assemblies **2**.
2. Center the latch mechanism assemblies onto the front receiver studs and press down until locked.
3. Insert the safety lock pin into the latch mechanism assembly **3**.

**NOTE:** For a wheelchair with the Sunrise Transit Option, your system will have two lock pins. insert the safety lock pins into the latch mechanism assemblies on both sides of the seat during transit.

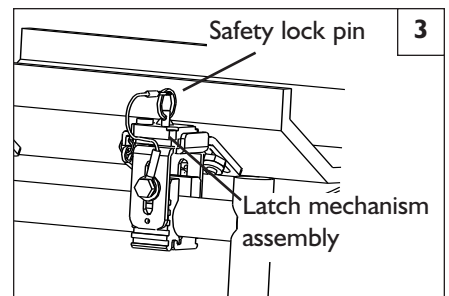
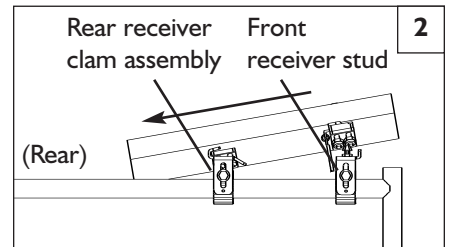
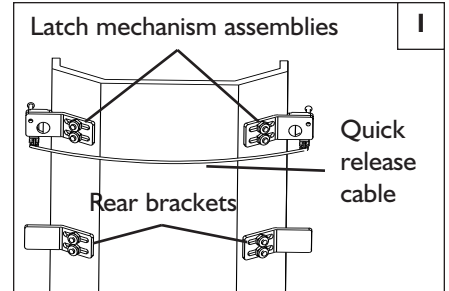
**⚠ WARNING-READ BEFORE USE**

**Risks of injury and how to avoid them:**

- a. **Improper attachment of the seat may cause the seat to unintentionally disconnect during use, potentially causing the rider to fall.**

**To avoid the risk:**

- a. **It is vital to follow all instructions when re-attaching the seat.**
- b. **Before seating the rider, ensure that the seat is locked in place.**
- c. **Return to your supplier for adjustment if the latch mechanism assemblies do not center and lock on the front receiver studs with ease.**



**ADJUSTABLE QUICK MOUNT ATTACHING BACK HARDWARE**

**To Remove the Back**

1. With the chair unoccupied, release the Snaptite hinge. **4**

**NOTE:** For a wheelchair with a Transit Option, you must release the safety retainer strap first. **5**

2. Tilt the top of the back forward and lift from the lower back receivers. **6**

**To Attach the Back**

1. Holding the back, slide the lower stud bracket nuts into the lower back receivers. **6**
2. Press the Snaptite attaching hardware around the Snaptite receiver and snap the hinge shut.

**NOTE:** For a wheelchair with the Sunrise Transit Option, you **MUST** re-attach the safety retainer strap by pulling it around the Snaptite hinge. **5**

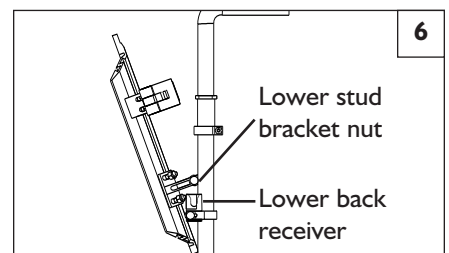
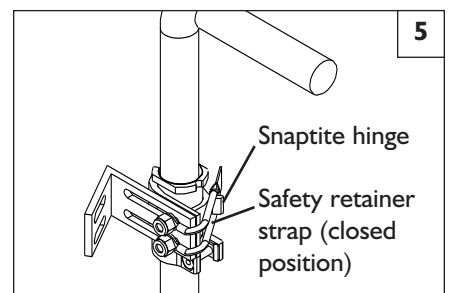
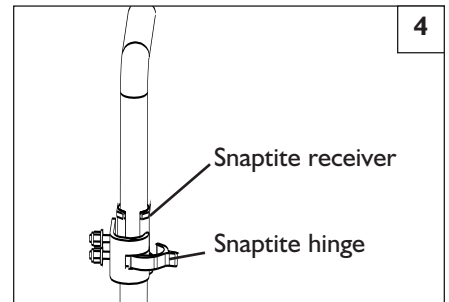
**⚠ WARNING-READ BEFORE USE**

**Risks of injury and how to avoid them:**

- a. **Failure to lock the back in place on the chair back post may cause the back to disengage from the chair frame potentially causing the rider to fall.**

**To avoid the risk:**

- a. **It is vital to follow all instructions when re-attaching the back.**
- b. **Before seating the rider, ensure that the back is locked in place.**
- c. **Return to your authorized supplier for adjustment if the Snaptite hinge does not close with ease around the receiver or if the safety retainer strap does not fit around the hinge.**



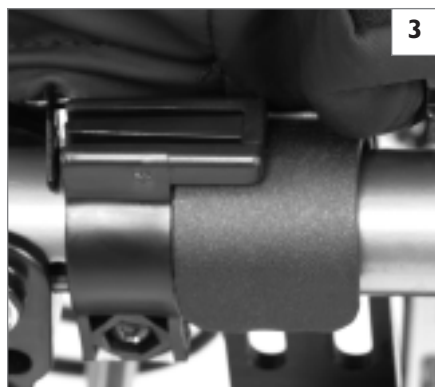




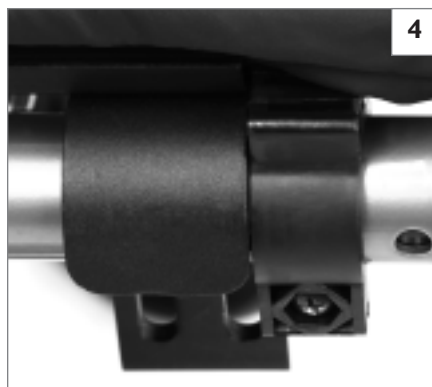
Check that the Quick Release Quarter Turn is engaged downward, in locked position.



Confirm Stud Post is seated in receiver.



Rear Seat Hook mounts under and snug against retaining hardware.



Front Seat Hook mounts snug against Seat Stop.



Check that the Snaptite Clamp is in locked position and secured with band.



Check that the Snaptite Clamp is in locked position.



Confirm Stud Post is seated in receiver.



Check that the Latch Mechanism is fully engaged and locked in place.



Check that the Rear Seat Hook is fully seated in clip.

## 24 MONTH LIMITED WARRANTY

This product has been carefully inspected and tested to provide peak performance. This product is guaranteed to be free from defects in materials and workmanship for a period of 24 months from the date of purchase, provided normal use. Should a defect in materials or workmanship occur within 24 months from the original date of purchase, Sunrise Medical will, at its option, repair or replace it without charge. **This warranty does not apply to punctures, tears or burns to the cushion's removable cover.**

Claims and repairs should be processed through the nearest authorized supplier. Except for express warranties made herein, all other warranties, including implied warranties of merchantability and warranties of fitness for a particular purpose are excluded. There are not warranties which extend beyond the description on the face hereof. Remedies for breach of express warranties herein are limited to repair or replacement of the goods. In no event shall damages for breach of any warranty include any consequential damages or exceed the cost of non-conforming goods sold.

## GARANTÍA LIMITADA DE 12 MESES

Todos los respaldos Fit se inspeccionan y prueban meticulosamente para que proporcionen el máximo rendimiento. Todos los respaldos Fit están garantizados contra defectos de fabricación y en los materiales para un período de 12 meses a contar a partir de la fecha de compra, siempre que se utilicen adecuadamente. Si apareciese un defecto de fabricación o en los materiales dentro de un período de 12 meses a contar a partir de la fecha de la compra, Sunrise Medical reparará el defecto, o bien sustituirá el producto, según su criterio y sin coste alguno para el propietario. Esta garantía no cubre las perforaciones, los desgarros, las quemaduras ni la cubierta extraíble del respaldo.

Las reclamaciones y reparaciones deben llevarse a cabo a través del proveedor autorizado más cercano. Salvo por las garantías expresas descritas anteriormente, se excluye cualquier otro tipo de garantía, incluyendo las garantías implícitas de idoneidad para un propósito concreto y de aptitud para la comercialización. No se establece ninguna otra garantía aparte de las aquí descritas. Las únicas compensaciones que se podrán reclamar en caso de vulneración de las garantías expresas descritas anteriormente serán la reparación o la sustitución del(de los) producto(s). En ningún caso se considerarán los daños derivados de la vulneración de cualquier garantía que consistan en daños consecuenciales o que superen el precio de venta del(de los) producto(s) vendido(s) que vulnere(n) la(s) garantía(s).

## GARANTIE LIMITÉE DE 24 MOIS

Chaque dossier Jay Fit Back est inspecté et testé avec précaution, pour en assurer le meilleur fonctionnement possible. Tous les dossiers Jay Fit Back sont garantis contre tout défaut matériel ou de fabrication pendant une période de 24 mois à partir de la date d'achat, dans des conditions d'usage normales. Si un défaut matériel ou de fabrication survient tant que la garantie de 24 mois est en vigueur, Sunrise Medical s'engage à réparer ou à rembourser, à sa discrétion, gratuitement, tout matériel défectueux. Cette garantie ne s'applique pas aux piqûres, déchirures ou brûlures, ou à la couverture amovible du dossier.

## 24 MONATE GARANTIE

Jedes Jay Fit-Rückenteil wurde sorgfältig untersucht und geprüft, um die bestmögliche Leistung zur Verfügung zu stellen. Die am Verkaufstag beginnende 24-monatige Garantie für jedes Jay-Fit-Rückenteil umfaßt Materialien und Verarbeitungsgüte. Normaler Gebrauch wird hierbei vorausgesetzt. Sollte ein Fehler bei Materialien oder Verarbeitung innerhalb von 24 Monaten nach Verkaufsdatum auftreten, wird Sunrise Medical das Rückenteil entweder kostenlos reparieren oder ersetzen. Sunrise Medical wird die Entscheidung bezüglich Reparatur oder Ersatz treffen. Diese Garantie trifft nicht auf Löcher, Risse oder Verbrennungen zu. Sie trifft ebenso nicht auf den entfernbaren Überzug des Rückenteils zu.

Ansprüche und Reparaturen sollten von dem Ihnen am nächsten gelegenen Lieferanten bearbeitet werden. Außer den ausdrücklich hierin beschriebenen Garantien sind alle anderen Garantien, einschließlich Garantien bezüglich der angedeuteten Marktgängigkeit und Garantien der Eignung für einen bestimmten Zweck, ausgeschlossen. Keinerlei Garantien gehen über das in dieser Garantie Beschriebene hinaus. Entschädigungen für Garantiebrüche ausdrücklicher Garantien beschränken sich auf die Reparatur oder den Ersatz der Güter. In keinem Fall soll Schadensersatz für einen Garantiebruch irgendwelche Folgeschäden einschließen oder die Kosten für den Erfordernissen nicht entsprechende verkaufte Waren überschreiten.

## GARANZIA LIMITATA DI 24 MESI

Ogni schienale Jay Fit Back è attentamente ispezionato e testato per fornire il massimo del risultato. Ogni schienale Jay Fit Back è garantito da difetti nei materiali e nella lavorazione per un periodo di 24 mesi dall'atto dell'acquisto in caso di un normale utilizzo. Nel caso compaia un difetto nei materiali o nella lavorazione entro 24 mesi dalla data di acquisto originaria, Sunrise Medical, a sua scelta, riparerà o sostituirà lo schienale gratuitamente. Questa garanzia non si applica alle bruciature, agli strappi, ai fori causati da oggetti appuntiti e nemmeno si applica alla fodera dello schienale.

Lamentele e riparazioni devono essere effettuate attraverso il rivenditore presso il quale è stato acquistato lo schienale. A parte le garanzie citate in questo punto, tutte le altre garanzie, comprese quelle implicite di commerciabilità e garanzie di idoneità ad un particolare utilizzo sono escluse. Non ci sono garanzie che si estendano oltre la descrizione qui contenuta. Le soluzioni alle rotture in garanzia qui citate sono limitate alla riparazione o alla sostituzione della merce. In nessun caso i danni delle rotture di prodotti in garanzia possono implicare la richiesta di danni o superare il valore del prodotto venduto non conforme.

**Sunrise Medical Inc.**  
7477 East Dry Creek Parkway  
Longmont, Colorado 80503  
USA  
(800) 333-4000  
IN CANADA (800) 263-3390  
[www.sunrisemedical.com](http://www.sunrisemedical.com)

**Sunrise Medical Limited**  
High Street Wollaston  
West Midlands DY8 4PS  
ENGLAND  
Phone: +44 (0) 13 84 44 66 88  
[www.sunrisemedical.com](http://www.sunrisemedical.com)

**Sunrise Medical GmbH + Co.KG**  
69254 Malsch/Heidelberg  
DEUTSCHLAND  
Tel.: +49 (0) 72 53/980-0  
Fax: +49 (0) 72 53/980-111  
[www.sunrisemedical.com](http://www.sunrisemedical.com)

**Sunrise Medical S.L.**  
Polígono Bakiola, 41  
48498 Arrankudiaga – Vizcaya  
ESPAÑA  
Tel.: +34 (0) 9 0214 24 34  
Fax: +34 (0) 9 46 481575  
[www.sunrisemedical.es](http://www.sunrisemedical.es)

**Sunrise Medical S.A.**  
13, Rue de la Painguetterie  
37390 Chanceaux sur Choisille  
FRANCE  
Tel.: +33 (0) 247 55 44 00  
Fax: +33 (0) 247 55 44 03  
[www.sunrisemedical.com](http://www.sunrisemedical.com)

**Sunrise Medical Srl**  
Via Riva 20, Montale  
29100 Piacenza (PC)  
ITALY  
Tel.: +39 (0) 05 23-57 3111  
Fax: +39 (0) 05 23-570 60  
[www.sunrisemedical.it](http://www.sunrisemedical.it)

**Sunrise Medical A.G.**  
Lückhalde 14  
3074 Muri bei Bern  
SCHWEIZ  
Tel.: +41 (0) 31-958-38 38  
Fax: +41 (0) 31-958-38 48  
[www.sunrisemedical.ch](http://www.sunrisemedical.ch)

**Sunrise Medical AS**  
Rehabsenteret  
1450 Nesoddtangen  
NORWAY  
Tel.: +47 66 96 38 00  
Faks: +47 66 96 38 80  
[www.sunrisemedical.no](http://www.sunrisemedical.no)

**Sunrise Medical AB**  
Britta Sahlgrens gata 8A  
421 31 Västra Frölunda  
SWEDEN  
Tel.: +46 (0) 31-748 37 00  
Fax: +46 (0) 31-748 37 37  
[www.sunrisemedical.se](http://www.sunrisemedical.se)

**Sunrise Medical B.V.**  
Pascalbaan 3  
3439 MP Nieuwegein  
NEDERLANDS  
Tel.: +31 (0) 30 60-8 2100  
Fax: +31 (0) 30 60-5 58 80  
[www.sunrisemedical.com](http://www.sunrisemedical.com)



This product is manufactured to comply with the 'Medical Device Directive' 93/42/EEC.

Este producto ha sido fabricado de tal forma que cumple con la "Directiva sobre dispositivos médicos" 93/42/CEE.

Ce produit est conforme à la "Directive pour dispositifs à usage médical" 93/42/EEC.

Dieses Produkt wurde in Übereinstimmung mit der "Medical Device Directive" 93/42/EEC hergestellt.

Questo prodotto è prodotto secondo quanto richiesto dalla Direttiva sui Dispositivi Medici 93/42/CE.



[www.sunrisemedical.com](http://www.sunrisemedical.com)

©2006 Sunrise Medical Inc. 5.06  
XXXXXX Rev. A